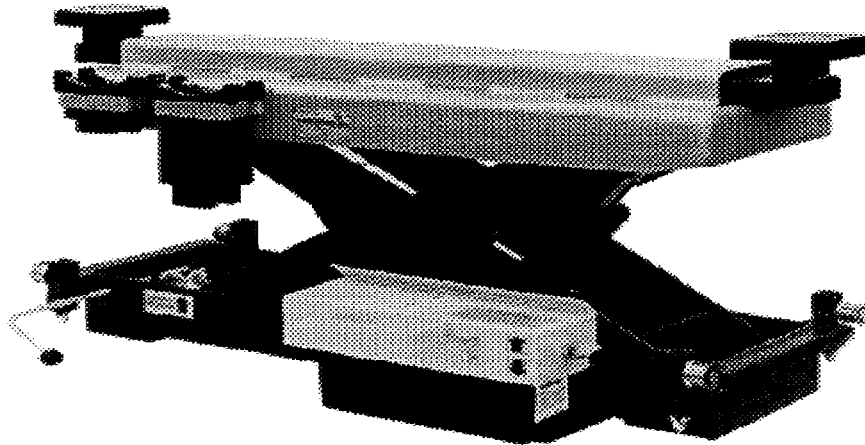




INSTALLATION and OPERATION MANUAL



AIR / HYDRAULIC ROLLING JACK BEAM

Model # JBC 145

(4,500 lbs. capacity)

READ and SAVE THIS
INSTRUCTION MANUAL



309 Exchange Avenue
Conway Arkansas 72032
Phone (501) 450 - 1500
Fax (501) 450 - 1585

December 1997 6 - 1549

JACKING BEAM INSTALLATION AND OPERATION MANUAL

INDEX

4500 lbs. Jacking Beam Operation	Page 1
Raising the Jack Beam	Page 1
Lowering the Jack Beam	Page 2
Recommended Maintenance	Page 3
Parts Manual	Page 4
Jack Beam Assembly	Page 5
Jack Beam Part List	Page 6
Air Hydraulic Pump	Page 8
Air Hydraulic Pump Part List	Page 9

JACKING BEAM INSTALLATION AND OPERATION MANUAL

4500 lbs JACKING BEAM OPERATION

POSITIONING OF VEHICLE ON JACKING BEAM

1. The vehicle must be positioned correctly on the hoist prior to lifting the vehicle with the jacking beam.

LIFTING AN IMPROPERLY POSITIONED VEHICLE WITH THE JACK BEAM INCREASES THE POSSIBILITY OF ONE DECK LEADING OR LAGGING THE OTHER DECK.

NOTE: USE ONLY THE SAME RISER PADS AT BOTH LIFTING ARMS.

2. Move the jacking beam to desired pickup area and connect air line, if not permanently connected.

NOTE: EASE OF POSITIONING WHILE JACKING BEAM IS NOT UNDER LOAD DUE TO THE TRACK ROLLER ASSEMBLIES. THE ROLLER ASSEMBLIES ARE SPRING LOADED TO CARRY THE WEIGHT OF THE JACK ONLY. WHEN THE JACKING BEAM IS UNDER VEHICLE LOAD THE JACK RESTS ON ITS STRUCTURE AND CANNOT BE MOVED.

3. With the jacking beam positioned at desired working location, select the proper lifting pad. Insert the chosen lifting pads into lifting arms.

NOTE: LIFT VEHICLE AT MANUFACTURER'S RECOMMENDED PICKUP POINTS ONLY.

4. With the vehicle's center of gravity properly centered between the decks, the jacking beam can be used to wheel-free the vehicle. Select lifting points that are the same distance from the center line of the vehicle, ie. position the jack beam riser pads so they make contact at the same point on each side of the vehicle.

RAISING THE JACK BEAM

5. Press the up button and hold until jacking beam is at full working height and the automatic safety is in place.

NOTE: NEVER WORK ON A VEHICLE UNLESS THE SAFETY LOCK IS ENGAGED AND THE JACKING BEAM CANNOT BE LOWERED.

JACKING BEAM INSTALLATION AND OPERATION MANUAL

LOWERING THE JACKING BEAM

6. Connect air supply line to jack beam, if not permanently connected.
7. To lower the jacking beam, first raise the jack up off the mechanical safety lock and then release the safety lock using the safety release lever.

NOTE: THE SAFETY LEVER MUST BE MANUALLY HELD IN THE RELEASED POSITION.

8. Press control handle to release pressure allowing the jacking beam to lower to its full down position.
9. Never operate a jacking beam that is not in proper working order or in a manner not recommended by the vehicle or jacking beam manufacturer.

**ALWAYS ENSURE THE JACKING BEAM SAFETY IS ENGAGED
WHENEVER A VEHICLE IS SUPPORTED BY THE JACKING BEAM**

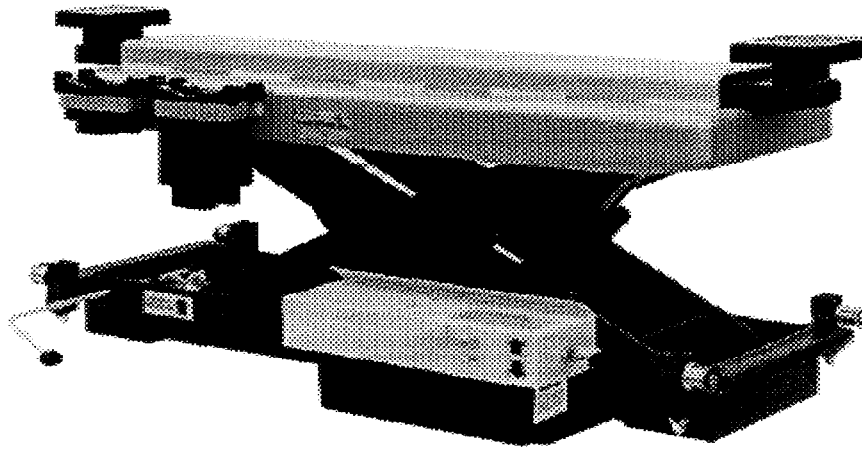
JACKING BEAM INSTALLATION AND OPERATION MANUAL

RECOMMENDED MAINTENANCE

1. Inspect the jacking beam on a daily basis before operating to ensure the jacking beam is in proper working condition.
2. Make certain that the automatic safety drops into place when the jacking beam is raised and that it will release when held in the down position during lowering.
3. Check the hydraulic fluid when jacking beam is in the lowered position by removing the filler breather cap.
4. Keep the air source clean and make certain that an air filter is used to keep dirt out of the air motor.
5. Keep the entire jacking beam as clean as possible at all times.
6. Maintain shop air supply (oil, lube, filter and regulator) should always be in good working area.



PARTS MANUAL



AIR / HYDRAULIC ROLLING JACK BEAM

Model # JBC 145

(4,500 lbs. capacity)

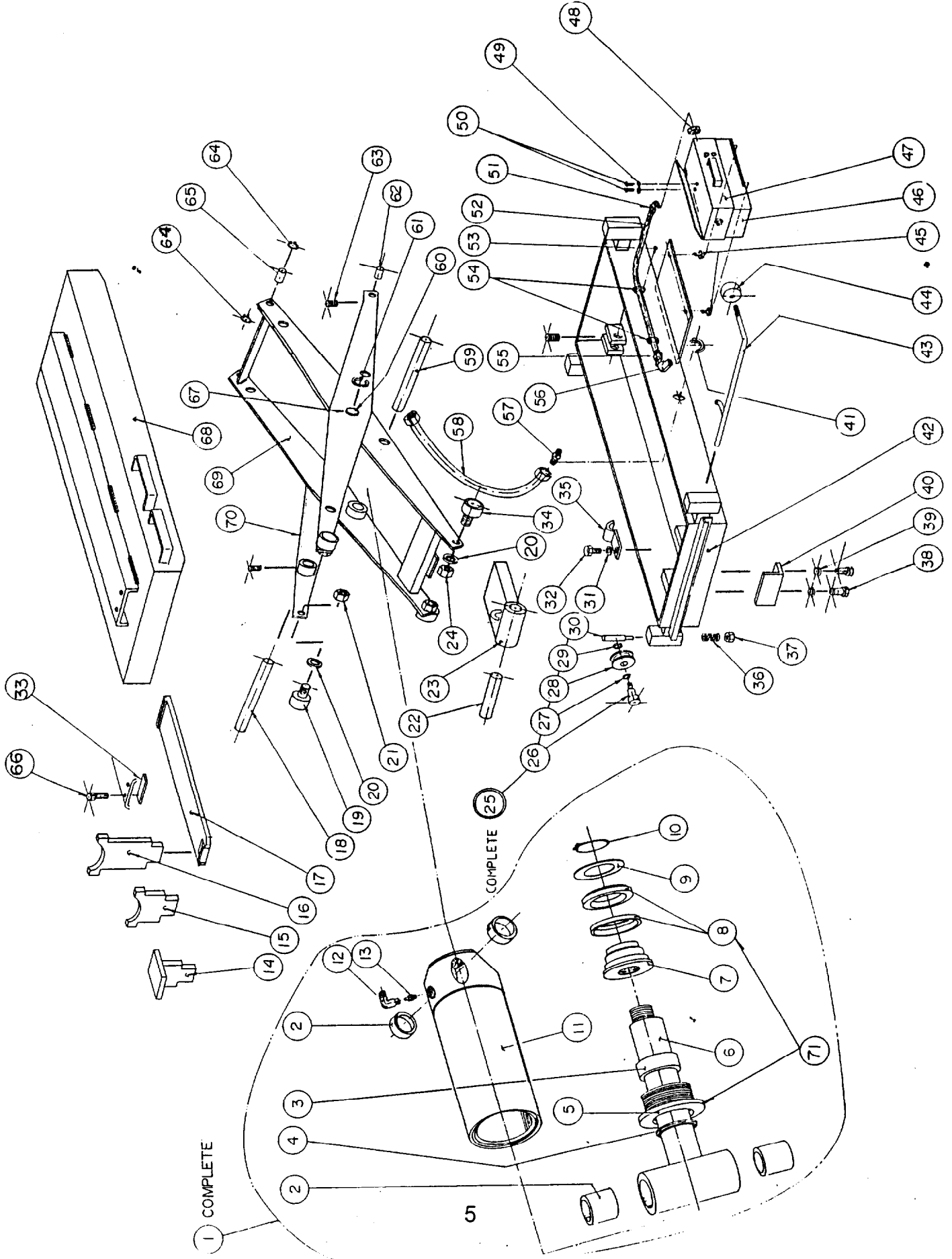
READ and SAVE THIS
PARTS MANUAL



309 Exchange Avenue
Conway Arkansas 72032
Phone (501) 450 - 1500
Fax (501) 450 - 1585

December 1997 6 - 1549

JACKING BEAM ASSEMBLY 4500 lbs.

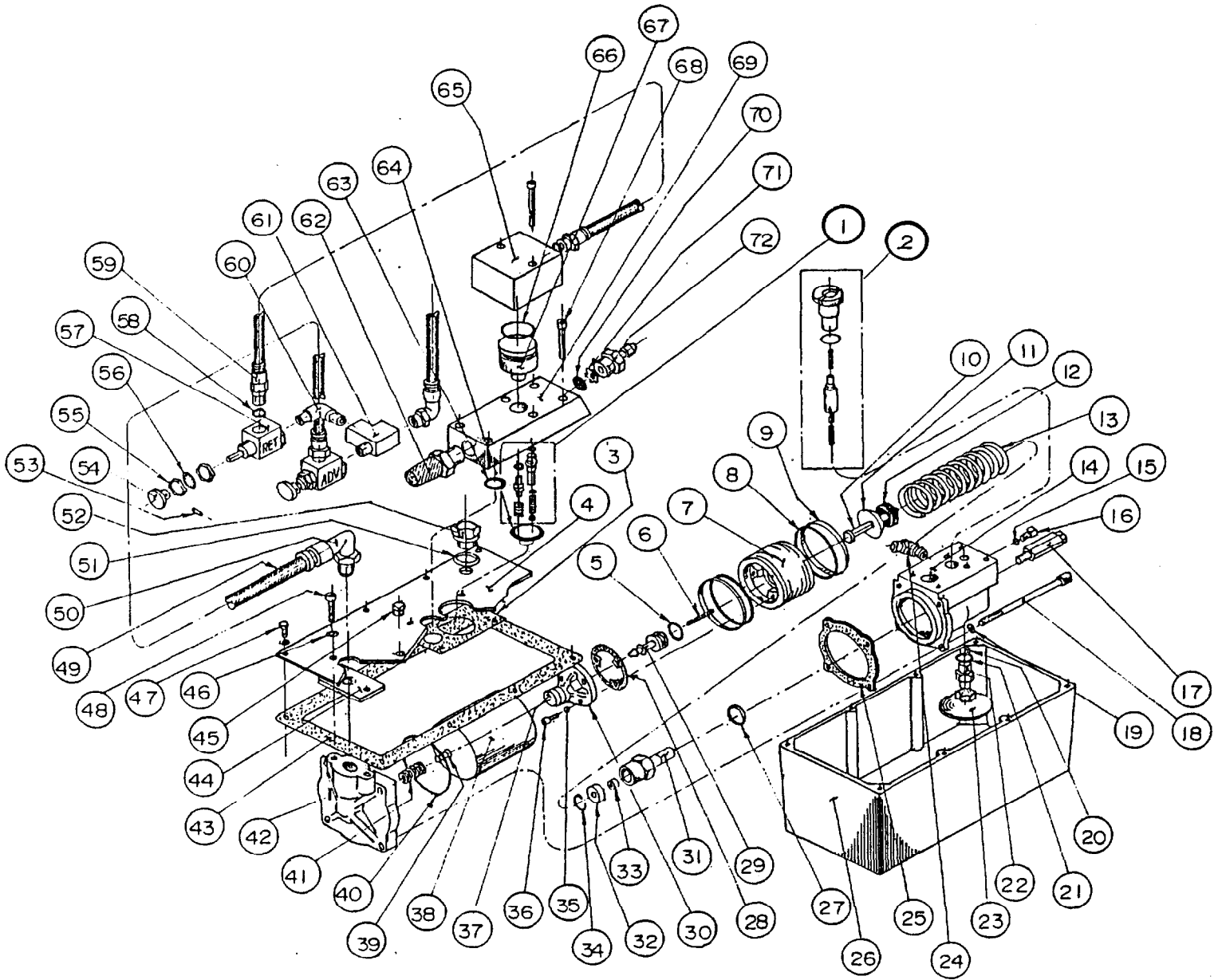


ITEM NO.	PART NO.	QUANTITY	DESCRIPTION
1	3-0362	2	HYDRAULIC CYLINDER ASSEMBLY
2	6-0800	4	SLEEVE BEARING
3	6-0799	1	SLEEVE BEARING
4*	6-0798	1	WIPER RING
5*	1-0880	1	GLAND
6	2-0616	1	PISTON ROD WELDMENT
7	1-0881	1	PISTON
8*	6-0579	1	SEAL AND WIPER RING
9	1-0725	1	KEEPER WASHER
10	6-0581	1	EXTERNAL SNAP RING
11	2-0614	1	CYLINDER TUBE WELDMENT
12	1-0600	1	ELBOW, 90 DEGREES
13	6-0911	1	VELOCITY FUSE
14	2-0264	2	NEOPRENE RISER
15	2-0163	2	RISER SHORT
16	2-0164	2	RISER TALL
17	1-0047	2	LIFTING ARM
18	1-0584	1	SCISSOR PIN "B"
19	6-0076	2	UPPER CAM FOLLOWER
20	1-0228	4	SPACER
21	6-0672	2	HEX NUT, 5/8" - 18UNF
22	1-0561	1	SAFETY PIN
23	1-0562	1	SAFETY STOP
24	6-0040	2	JAM NUT, 5/8" - 18UNF
25	2-0259	4	ROLLER ASSEMBLY
26	6-0206	4	SHOULDER BOLT, 3/8" X 1" LG.
27	6-0223	4	THRUST WASHER, 3/8"
28	2-0098	4	TRACK ROLLER ASSEMBLY
29	6-0224	4	THRUST WASHER, 3/8"
30	1-0204	4	SPRING STEM
31	6-0056	7	LOCKWASHER, 1/4"
32	6-0178	7	HEX BOLT, 1/4" - 20UNC X 3/4" LG.
33	1-0262	2	ARM STOP
34	1-0130	2	CAM FOLLOWER
35	6-0671	3	CLIP
36	6-0081	4	SPRING

ITEM NO.	PART NO.	QUANTITY	DESCRIPTION
37	6-0042	4	NYLOCK NUT, 3/8" UNC
38	6-0030	4	HEX BOLT, 3/8" - 16UNC x 3/4" LG.
39	6-0058	4	LOCKWASHER, 3/8"
40	1-0608	2	KEEPER BRACKET
41	6-0670	1	SNAP-IN GROMMET
42	4-0154	1	BOTTOM FRAME WELDMENT
43	1-0589	1	LEVER WELDMENT
44	6-0251	1	KNOB, 3/8" - 16UNC
45	6-0178	2	HEX BOLT, 1/4" x 3/4" LG.
46	6-0960	1	AIR/HYDRAULIC PUMP
47	2-0757	1	PUMP SHIELD
48	6-0968	1	JAM NUT, 1/4" NPT
49	6-0207	2	FLAT WASHER, #10
50	6-0068	2	ROUND HD. SCREW #10 x 1/2" LG
51	6-0966	1	ELBOW, 90 DEG., 1/4" NPT, F- 3/8" POLY
52	1-1010	1	POLY TUBE
53	6-0169	2	SELF TAPPING SCREW, #10 x 3/8" LG.
54	6-0536	2	TUBE CLAMP
55	6-0710	1	ADAPTER, 3/8" POLYTUBE TO 1/4" NPT, M
56	6-0967	1	ELBOW, 90 DEG. 1/4" NPT, F -1/4"NPT, F
57	1-0805	1	ADAPTER, W/RESTRICTOR
58	1-0765	1	HYDRAULIC HOSE ASSEMBLY
59	1-0583	1	SCISSOR PIN "B"
60	1-0574	1	CENTER SHAFT
61	6-0329	2	RETAINING RING
62	1-0599	2	BOTTOM HINGE PIN
63	6-0438	6	SET SCREW, 1/4" -20UNC x 1/2" LG
64	6-0072	4	RETAINING RING
65	1-0598	2	TOP HINGE PIN
66	6-0441	4	BUTTON HD. CAP SCREW, 1/4" -20UNF x 3/8" LG
67	6-0328	2	THRUST WASHER
68	3-0433	1	TOP COVER WELDMENT
69	3-0289	1	SCISSOR ARM WELDMENT, INSIDE
70	3-0288	1	SCISSOR ARM WELDEMENT, OUTSIDE
71*	0-0190	1	HYDRAULIC CYLINDER SEAL KIT

NOTE: ITEMS LISTED WITH * ARE INCLUDED IN ITEM 71 SEAL KIT.

AIR HYDRAULIC PUMP



AIR /HYDRAULIC PUMP

ITEM NO.	PART NO.	QUANTITY	DESCRIPTION
1	6-0999	1	CHECK AND RELEASE VALVES ASS
2	6-1000	2	RELEASE VALVE ASSEMBLY
3	6-1001	1	GASKET
4	6-1002	1	COVER PLATE
5	6-1003	1	"O" RING
6	6-1004	1	SPRING
7	6-1005	1	PISTON BODY
8	6-1006	2	"O" RING
9	6-1007	2	PISTON RING
10	6-1008	1	PISTON
11	6-1009	1	SPRING GUIDE
12	6-1010	1	BUMPER
13	6-1011	1	COMPRESSION SPRING
14	6-1012	1	PUMP BODY
15	6-1013	1	COPPER WASHER
16	6-1014	1	CAP SCREW
17	6-1015	1	RELIEF VALVE ASSEMBLY
18	6-1016	4	HEX-SOCKET CAP SCREW
19	6-1017	4	LOCK WASHER
20	6-1018	1	STEEL BALL
21	6-1019	1	COPPER WASHER
22	6-1020	1	FILTER ADAPTER
23	6-1021	1	FILTER ASSEMBLY
24	6-1022	1	ELBOW, 90°
25	6-1023	1	GASKET
26	6-1024	1	RESERVOIR
27	6-1025	1	COPPER WASHER
28	6-1026	1	GASKET
29	6-1027	1	EXHAUST VALVE STEM
30	6-1028	1	PISTON
31	6-1029	1	CYLINDER
32	6-1030	1	RETAINER
33	6-1031	1	"U" CUP
34	6-1032	1	RETAINING RING
35	6-1033	3	LOCK WASHER
36	6-1034	3	HEX-SOCKET CAP SCREW
37	6-1035	1	PISOTN POPPET

AIR /HYDRAULIC PUMP

ITEM NO.	PART NO.	QUANTITY	DESCRIPTION
38	6-1036	1	AIR CYLINDER
39	6-1037	1	CAP SCREW
40	6-1038	1	BACKUP RING
41	6-1039	1	SPRING
42	6-1040	1	REAR HEAD
43	6-1041	1	GASKET
44	6-1042	1	GASKET
45	6-1043	1	PLUG
46	6-1044	2	FLAT WASHER
47	6-1045	8	SCREW
48	6-1046	2	HEX-SOCKET CAP SCREW
49	6-1047	2	POLYTUBE L= 10" LG.
50	6-1048	2	ELBOW FITTING
51	6-1049	1	RUBBER GASKET
52	6-1050	1	BREATHER CAP
53	6-1051	2	HEX-SOCKET SET SCREW
54	6-1052	2	BUTTON
55	6-1053	4	LOCKNUT
56	6-1054	2	TOOTH LOCK WASHER
57	6-1055	2	AIR VALVE
58	6-1056	2	PLASTIC WASHER
59	6-1057	2	STRAIGHT FITTING
60	6-1058	1	ELBOW 90°
61	6-1059	1	CONNECTOR
62	6-1060	1	FILTER
63	6-1061	2	"O" RING
64	6-1062	1	"O" RING
65	6-1063	1	VALVE BODY
66	6-1064	1	"O" RING
67	6-1065	1	PISTON
68	6-1066	6	HEX-SOCKET CAP SCREW
69	6-1067	1	VALVE BODY
70	6-1068	1	FILTER
71	6-1069	1	TOOTH LOCKWASHER
72	6-1070	1	STRAIGHT ADAPTER